

**EUROCARGO**

**THE TRUCK THE CITY LIKES**  
MUNICIPAL APPLICATIONS



**IVECO**

Your partner for sustainable transport



## EUROCARGO

### THE TRUCK THE CITY LIKES MUNICIPAL APPLICATIONS

Sustainable, efficient, manoeuvrable and versatile: the Eurocargo is the perfect truck for urban missions. From waste collection and road cleaning to road services and container applications, it can satisfy every need. Cities love the Eurocargo, Truck of the Year 2016: the truck that respects people and the environment wherever it operates, even in the busy streets of a major city.



#### CONTENTS

IVECO HI-SCR	4	WINTER SERVICES	12
SUSTAINABILITY	5	CONTAINER APPLICATIONS	13
WASTE COLLECTION	6	DRAINAGE SERVICES	14
ROAD CLEANING	8	LINE UP	15
ROAD SERVICES	10	ENGINES	18

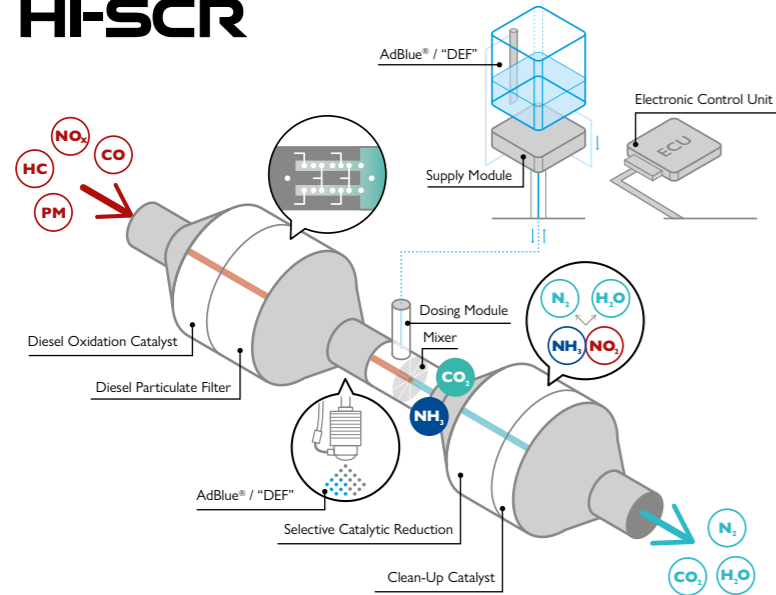
# IVECO HI-SCR

## REGENERATION? NO THANKS.

The Eurocargo is the only Euro VI step C truck in its category to adopt a single after-treatment solution for exhaust gases: the **exclusive HI-SCR** system with passive DPF.

Our patented **HI-SCR** is simply the best selective catalytic reduction system on the market and the only one that achieves a **97% NOx reduction**. This means that we can meet Euro VI step C standards without Exhaust Gas Recirculation.

## HI-SCR



HI-SCR BENEFITS	
97% NOx REDUCTION	✓
NO FORCED REGENERATION	✓
NO IMPACT ON COOLING SYSTEM	✓
THE LONGEST SERVICE INTERVALS	✓
COMBUSTION EFFICIENCY	✓
FUEL ECONOMY	✓

### HI-SCR MAXIMISES SAFETY

- It is the most suitable solution for access to sensitive environments like tunnels, airports, ships and underground car parks, where the high temperatures caused by forced regeneration may pose a risk

### HI-SCR MAXIMISES PAYLOAD

- Compact, lightweight technology delivers the best combination of efficiency and long service life
- No additional components on the engine or bigger cooling systems are required

### HI-SCR MAXIMISES UPTIME

- The longest maintenance intervals in the industry
- No forced regeneration requiring driver intervention and vehicle stop

### HI-SCR FUEL EFFICIENCY

- Lower fuel consumption compared to forced regeneration systems
- Lack of oil degradation extends oil change intervals by up to 30% compared to forced regeneration



## SUSTAINABILITY

### NATURAL POWER

**CNG is the most environmentally-friendly fuel** commercially available: the only real alternative to automotive diesel fuel, with 3500 CNG distribution facilities operating in Europe. The emissions of IVECO's CNG engine contain **reduced levels of NOx, zero lead compound** and **95% less particulates** compared with diesel. The vehicle's features and load capacity are identical to the diesel versions. The Eurocargo Natural Power is **particularly at home in major cities** - its low emissions mean it is allowed to drive in restricted traffic zones and its quiet operation makes it perfect for night-time work (PIEK Certified).

No Adblue®	No complex after-treatment
No forced regeneration	No particulate filter
No after-treatment maintenance	Low noise emissions



# WASTE COLLECTION

The highly-customisable chassis of the Eurocargo makes it easy to install different types of body for waste collection applications, such as side-loading compactors, rear-loading compactors, front-loading compactors and mini compactors.

## MANOEUVRABILITY AND CAB FUNCTIONALITY

- Specific short wheelbase (2,790 mm);
- Turning circle of less than 11 m
- Allison automatic gearbox
- Maximum width of 2,300 mm for 12 tonne version
- Ideal cab visibility and ergonomics for the driver
- Easy cross-cab access enables the driver to easily exit the vehicle from either side of the cab
- Twin passenger seat for rear loading missions



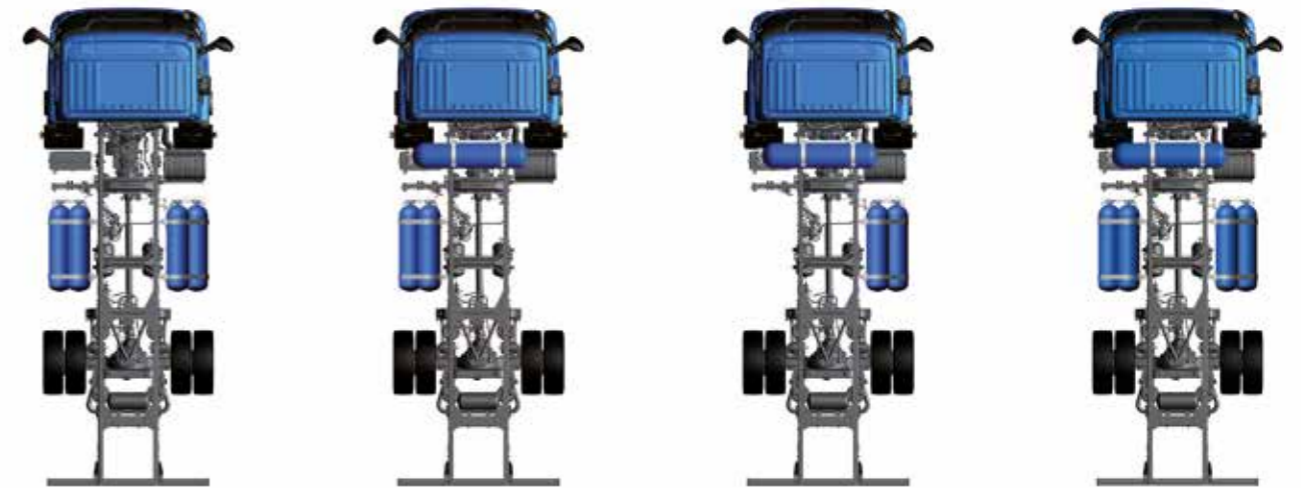
## SAFE OPERATION AND CHASSIS STRUCTURE

- CAN Open provision to enable body/vehicle interaction and body operation control
- Higher payload due to lightweight chassis components
- Class-leading ground clearance chassis



## EASY BODY INSTALLATION

The alternative tank layouts of the Eurocargo make body installation easy, enabling it to satisfy every need. In addition to the standard layout, further configurations are available that leave the left or right side of the chassis free, which is the optimal solution for a side lateral loading body.



**Standard layout**  
480 litres / Up to 400km

**Right side of frame free**  
660 litres / Up to 550km

**Left side of frame free**  
660 litres / Up to 550km

**Standard layout + rack behind the cab**  
900 litres / Up to 750km

## PTOs SUITED TO WASTE COLLECTION

- Sandwich PTO SAE2 for continuous and high torque operation at low engine speeds
- Wide range of rear and side gearbox PTOs
- Ideal torque for refuse collection: 400 Nm

## NATURAL POWER ADVANTAGES

- Low noise emissions below 60 dB for night-time operation - PIEK Standard compliant
- Maintenance-free after-treatment system
- +15% G.V.W tolerance (depending on market legislation)



## ROAD CLEANING

The Eurocargo offers a factory fitted solution for easy road-sweeper body installation (available on 15- and 16- tonne versions).

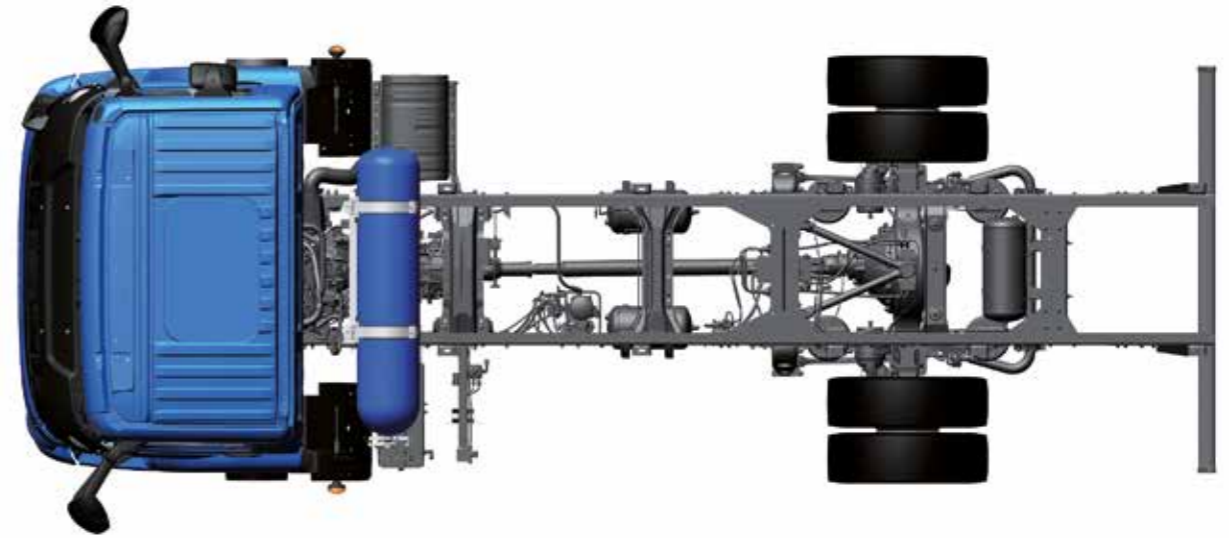


### SPECIFIC FEATURES FOR ROAD CLEANING

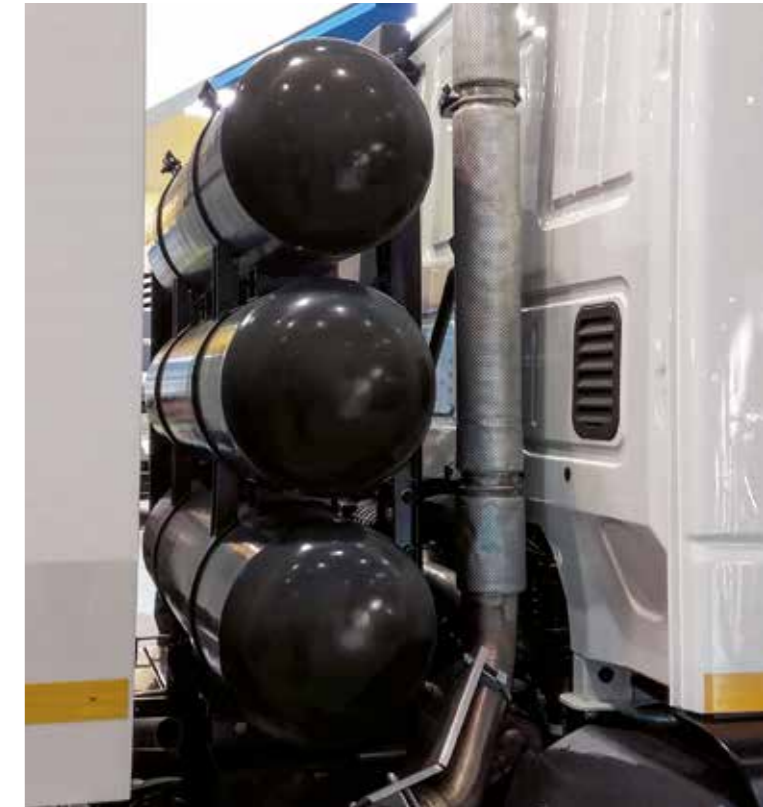
- Specific short wheelbases:  
3,465 mm (for 4-cylinder engine)  
3,350 mm (for 6-cylinder engine)
- Short rear axle ratios available enabling perfect manoeuvrability in low-speed sweeping operations
- Rear cab windows for better operator visibility
- Optimised ground clearance of the available ECAS air suspension

## EASY BODY INSTALLATION

The Eurocargo is the only vehicle in its category to offer a chassis set-up for a CNG road sweeper. This specific layout leaves the left and right side of the frame free for easy body sweeper installation.



**Rack behind the cab**  
420 litres / Up to 300km



### NATURAL POWER ADVANTAGES

- Low emissions: natural gas is a “clean” fuel that generates 35% less nitric nitrogen oxide (NOx) emissions and 95% less particulates compared to diesel
- Unrestricted access to restricted traffic zones
- Loading capacity equal to diesel version

### SWEeper PACKAGE

The specific layout for sweepers relocates the lateral components (such as air intake, batteries, fuel and urea tanks, exhaust...) behind the cab to adapt the chassis for easy sweeper body installation.

## ROAD SERVICES

The Eurocargo represents the ideal vehicle for road maintenance applications, and is also suitable for the installation of a loading crane, skylifters and stabilisers behind the cab.

### TIPPER EQUIPMENT

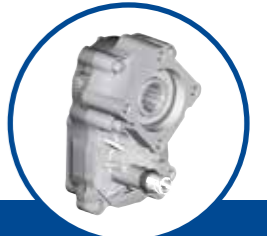
The tipper version offers specific options suitable for road service applications

- Easy-clean cab trim
- Radiator guard
- High profile tyres
- Steel front bumper
- Headlamp protection grid
- Multi leaf springs for 4x4 models and rear and front reinforced parabolic springs for 4x2 models
- Differential lock



### CREW CAB

- Designed to transport a crew with tools and equipment
- Accommodates up to six passengers and a driver



### PTOs SUITABLE FOR ROAD SERVICES

Wide range of rear and side gearbox PTOs

- **Tipper:** up to 300 Nm torque
- **Crane:** up to 400 Nm torque
- **Lifting Platform:** up to 600 Nm torque



### EASY BODY INSTALLATION

The components installed on the chassis (on both the right and left hand side) can be moved towards the back of the vehicle in order to fit the vehicle with a crane, stabilisers, a lifting platform or other devices behind the cab.



## WINTER SERVICES

The Eurocargo is engineered to operate in the most difficult driving conditions. This, together with the 4x4 version, makes it the perfect vehicle for winter service applications.

### 4X4 VERSION

- 4x4 version guarantees ideal traction in the most adverse low-grip and snowy conditions
- Gross Vehicle Weight of 11.5 or 15 tonnes with 6-cylinder Tector engine and a choice of 220, 250 to 280 hp variants
- Wheelbases ranging from 3,240 to 4,150 mm
- Double reduction rear axle with single or twin wheels
- Day cab or sleeper cab with low roof
- Differential locks on front and rear axles and transfer box
- Parabolic or semi-elliptical leaf spring suspension
- The steering angle (40 to 48 degrees, depending on the tyres used) ensures manoeuvrability even on urban building sites
- Tectyl protective treatment to shield the chassis from antifreeze products



### PTOs SUITABLE FOR SNOW PLOUGHS

- Sandwich PTO SAE2 for continuous & high torque operation at low engine speeds
- Engine PTO (Multipower)
- Suitable torque for snow plough: 900 Nm



## CONTAINER APPLICATIONS

The Eurocargo offers excellent maneuverability, compact dimensions and great payload, making it the ideal vehicle for container applications in urban operation areas.



### SPECIFIC FEATURES FOR SKIP LOADER AND HOOKLIFT

- Front axle parking brake and air suspension for easy loading/unloading of the container
- Parallel main frame members for easy body installation
- The rear air suspension makes it possible to lower the rear of the vehicle for easy container loading and unloading

### PTOs SUITABLE FOR CONTAINER APPLICATION

- Engine PTO (Multipower) for high power requirements and continuous running
- Wide range of rear and side gearbox PTOs
- Suitable torque for hook and skip loader: 300 Nm

# DRAINAGE SERVICES

The optimal payload and clear chassis rails make the Eurocargo the perfect vehicle for easy installation of a gully cleaner body.



## PTOs SUITABLE FOR GULLY CLEANER

- Sandwich PTO SAE2 for continuous & high torque operation at low engine speeds
- Engine PTO (Multipower)
- Suitable torque for gully emptier: 1000 Nm

## SPECIFIC FEATURES FOR GULLY EMPTIER

- ADR equipment, compliant with ADR 2017 Regulation, includes ADR specific tachograph and battery switch off
- 6x2 version (22 tonnes GVW) with liftable and steered third axle, available on 15 and 16 tonne versions, for outstanding manoeuvrability and large payload
- High axle load capacity for ideal load distribution

# LINE UP



ALLISON AUTOMATIC



ZF MANUAL



ZF AUTOMATED

VERSION	TONNES	ENGINE			GEARBOX		
		N° OF CYLINDERS	Hp	TORQUE (Nm)	ZF Manual	ZF Automated	Allison Automatic
4x2	6-8	4 IN LINE	160	680	6S700	6AS700	-
			190	700			
			210	750			
	8-10	4 IN LINE	190	700	6S700	6S700	S2500
			210	750			
	6 IN LINE	220	800	6S800	6AS800	S2500	
		190	700				
	11-12	4 IN LINE	210	750	6S800 9S-75	6AS800	S2500
			220	800			
	12-14	4 IN LINE	190	700	6S700	6AS700	S2500
			210	750			
			220	800			
		6 IN LINE	220	800	6S800 9S-75	6AS800 12AS1210	S3000
			250	850			
			280	1000			
	15-16	4 IN LINE	210	750	6S800 9S-75	6AS800 12AS1210	S2500
			220	800			
			250	850			
6 IN LINE		280	1000	6S1000 9S1100	6AS800 12AS1210	S3000	
		320	1000				
		250	850				
18-19	6 IN LINE	280	1000	6S1000 9S1100	6AS100 12AS1210	S3000	
		320	1000				
		220	800				
4x4	11,5 - 15	6 IN LINE	250	850	6S800 6S1005+PTO	-	S3000
			280	1000			
			250	850			
CNG	11-12	6 IN LINE	210	750	9S-75	-	S2500
	15-16	6 IN LINE	210	750	9S-75	-	S3000

MODEL	MECHANICAL SUSPENSION			AIR SUSPENSION	
	PARABOLIC	REINFORCED PARABOLIC	SEMI-ELLIPTICAL	/P (REAR ONLY)	/FP (FRONT + REAR)
60 - 80L	●	○	○	○	-
80 - 100	●	○	○	○	○
110L - 120L	●	-	-	○	-
120 - 140	●	○	○	○	○
150	●	○	○	○	○
160	●	○	○	○	○
180 - 190L	●	○	○	○	○
110W - 150W	-	○	○	-	-

● Standard ○ Optionals - Not available



# LINE UP

## 4X2 WITH 1 ACCESS STEP



MODEL	GVW (kg)	MAX. GCW (kg)	VERSION			CABS			ENGINES								GEARBOXES			SUSPENSION			WHEELBASES (mm)	
			Std	R (towing)	K (tipper)	Day	Sleeper	Crew	TECTOR 5 (hp)				TECTOR 7 (hp)				Manual		Automated	Automatic	Mechanical	Rear air		Full air
									160	190	210	220	250	280	320	6	9	6						
60	6,200	7,000	•	-	•	•	•	-	•	-	-	-	-	-	-	-	•	-	•	-	•	•	-	3,105 - 3,330 - 3,690 4,185 - 4,455 - 4,815
65	7,000		•	-	•	•	•	-	•	-	-	-	-	-	-	-	•	-	•	-	•	•	-	3,105 - 3,330 - 3,690 4,185 - 4,455 - 4,815
75	7,500	16,500	•	•	•	•	•	-	•	•	•	-	-	-	-	•	-	•	-	•	•	-	2,790 - 3,105 - 3,330 3,690 - 4,185 - 4,455 4,815	
80L	8,000		•	•	•	•	•	-	•	•	•	-	-	-	-	•	-	•	-	•	•	-	2,790 - 3,105 - 3,330 3,690 - 4,185 - 4,815	
80	8,000	18,000	•	•	•	•	•	-	•	•	•	-	-	-	-	•	•	•	•	•	•	•	2,790 - 3,105 - 3,330 3,690 - 4,185 - 4,455 4,815	
90	9,000		•	•	•	•	•	-	•	•	•	-	-	-	-	•	•	•	•	•	•	•	2,790 - 3,105 - 3,330 3,690 - 4,185 - 4,455 4,815	
100	10,000	18,000	•	•	•	•	•	-	•	•	•	-	-	-	-	•	•	•	•	•	•	•	2,790 - 3,105 - 3,330 3,690 - 4,185 - 4,455 4,815	
110L	11,000		•	•	-	•	•	-	•	•	•	-	-	-	-	•	•	•	•	•	•	•	3,105 - 3,330 - 3,690 4,185 - 4,455 - 4,815	
120L	12,000		•	•	-	•	•	-	•	•	•	-	-	-	-	•	•	•	•	•	•	•	3,105 - 3,330 - 3,690 4,185 - 4,455 - 4,815	

## OFF ROAD 4X4



MODEL	GVW (kg)	MAX. GCW (kg)	VERSION			CABS			ENGINES				GEARBOXES			SUSPENSION		WHEELBASES (mm)
			Std	R (towing)	K (tipper)	Day	Sleeper	Crew	TECTOR 7 (hp)				Manual		Automatic	Parabolic	Reinforced	
									220	250	281	320	6	6+PTO				
110E	11,500	21,000	•	•	•	•	•	-	•	•	-	-	•	•	•	•	•	3,240 - 3,690 3,915 - 4,150
150E	15,000	24,000	•	•	•	•	•	-	•	•	-	-	•	•	•	•	•	3,240 - 3,690 3,915 - 4,150

## 4X2 CNG



MODEL	GVW (kg)	VERSION			CABS	ENGINES	GEARBOXES		WHEELBASES (mm)	
		Std	K (tipper)	Short			TECTOR 6 210 hp	ZF Manual		ALLISON Automatic
120.L	12,000	•	-	•	•	•	•	3,105 - 3,330 - 3,690 - 4,185 - 4,455 - 4,815		
150.L	15,000	•	•	•	•	•	•	3,690 - 4,185 - 4,455 - 4,815 - 5,175 - 5,670		
160.L	16,000	•	•	•	•	•	•	3,690 - 4,185 - 4,455 - 4,815 - 5,175 - 5,670		

## 4X2 WITH 2 ACCESS STEPS



MODEL	GVW (kg)	MAX. GCW (kg)	VERSION			CABS			ENGINES								GEARBOXES			SUSPENSION			WHEELBASES (mm)	
			Std	R (towing)	K (tipper)	Day	Sleeper	Crew	TECTOR 5 (hp)				TECTOR 7 (hp)				Manual		Automated	Automatic	Mechanical	Rear air		Full air
									160	190	210	220	250	281	320	6	9	6						
120	12,000	26,000	•	•	•	•	•	-	•	•	•	•	-	•	•	•	•	•	•	•	•	•	3,105 - 3,690 - 4,185 4,455 - 4,815 - 5,175 5,670 - 6,570	
140	14,000		•	•	•	•	•	-	•	•	•	•	-	•	•	•	•	•	•	•	•	•	3,105 - 3,690 - 4,185 4,455 - 4,815 - 5,175 5,670 - 6,570	
150	15,000	35,000	•	•	•	•	•	-	•	•	•	•	•	•	•	•	•	•	•	•	•	•	3,105 - 3,690 - 4,185 4,455 - 4,815 - 5,175 5,670 - 6,570	
160	16,000		•	•	•	•	•	-	•	•	•	•	•	•	•	•	•	•	•	•	•	•	3,105 - 3,690 - 4,185 4,455 - 4,815 - 5,175 5,670 - 6,570	
180	18,000	35,000	•	•	•	•	•	-	•	•	•	•	•	•	•	•	•	•	•	•	•	•	3,690 - 4,185 - 4,590 4,815 - 5,175 - 5,670 6,210 - 6,570	
190L	19,000		•	•	-	•	•	-	•	•	•	•	•	•	•	•	•	•	•	•	•	•	3,690 - 4,185 - 4,590 4,815 - 5,175 - 5,670 6,210 - 6,570	

MLC – DAY, LOW ROOF		MLL – SLEEPER, HIGH ROOF	
1 STEP	2 STEP	1 STEP	2 STEP

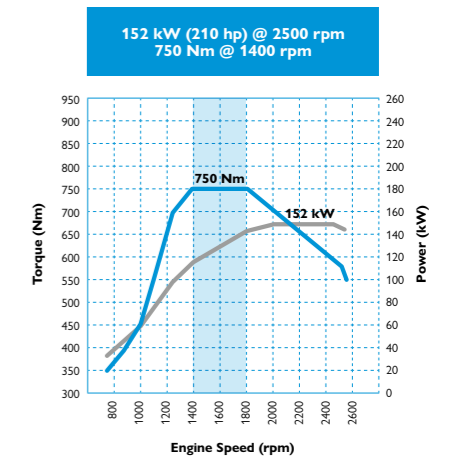
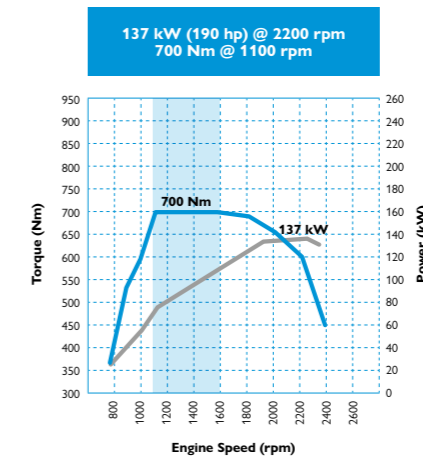
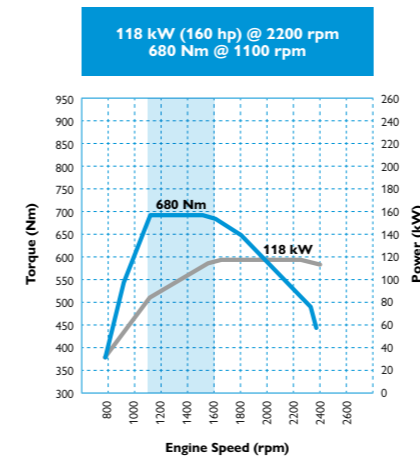
MLL – SLEEPER, LOW ROOF		MLD – CREW CAB	
1 STEP	2 STEP	1 STEP	2 STEP

# ENGINES

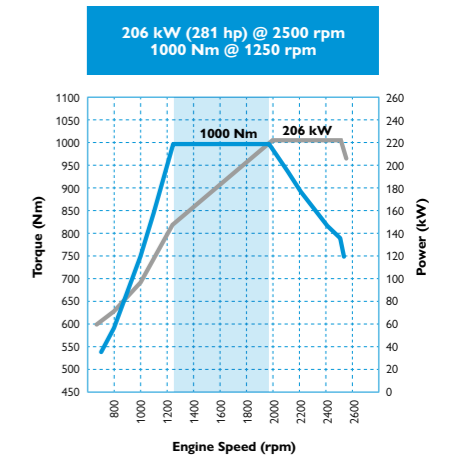
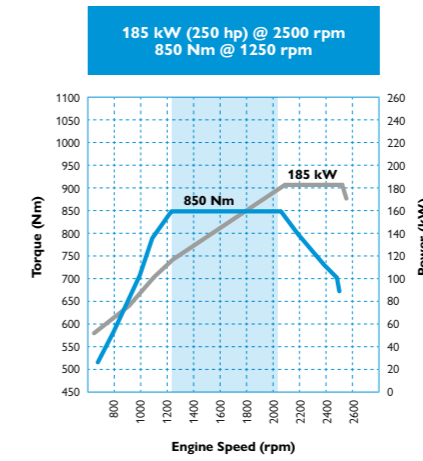
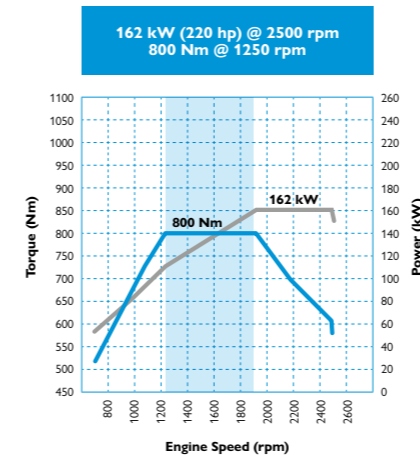
**THE ENGINES ON THE EUROARGO** are Tector 5 four-cylinder 4.5-litre and Tector 7 six-cylinder 6.7-litre diesel engines. The range includes seven power ratings from 160 to 320 hp, with a maximum torque of 1100 Nm. The CNG engine is also available, and delivers 750 Nm of torque and 210 hp. In addition to engines, the wide range of gearboxes (6 or 9- speed manual gearboxes, 6 or 12-speed automated or automatic gearboxes with torque converter) enables the driveline to be optimised according to each specific mission.

ENGINES	Nº. OF CYLINDERS	DISPLACEMENT	POWER	MAX TORQUE
TECTOR 5	4 IN LINE	4.5 LITRES	118 kW (160 hp) at 2200 rpm	680 Nm from 1100 to 1600 rpm
			137 kW (190 hp) at 2200 rpm	700 Nm from 1100 to 1600 rpm
			152 kW (210 hp) at 2500 rpm	750 Nm from 1400 to 1800 rpm
TECTOR 7	6 IN LINE	6.7 LITRES	162 kW (220 hp) at 2500 rpm	800 Nm from 1250 to 1900 rpm
			185 kW (250 hp) at 2500 rpm	850 Nm from 1250 to 2050 rpm
			206 kW (281 hp) at 2500 rpm	1000 Nm from 1250 to 1950 rpm
			235 kW (320 hp) at 2500 rpm	1100 Nm from 1250 to 1900 rpm
TECTOR 6	6 IN LINE	5.9 LITRES	150 kW (210 hp) at 2800 rpm	750 Nm from 1400 to 1800 rpm

## tector 5

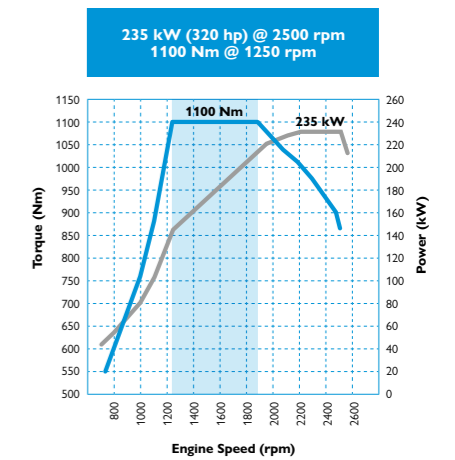
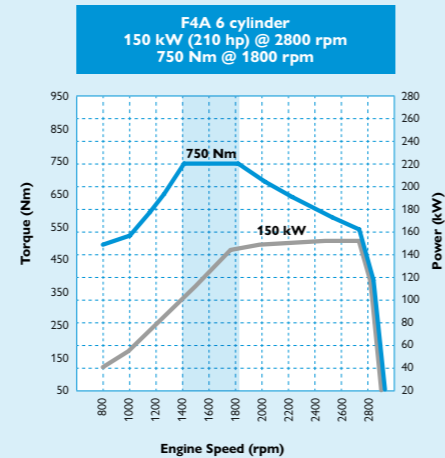


## tector 7



## tector 6

NATURAL POWER



IVECO recommends



**IVECO**

Your partner for sustainable transport